

Products > Aperture Wafers

Sapphire Wafers & Ruby Aperture Jewels

Aperture Wafers are precision controlled orifices where the ID Length is controlled very tightly.

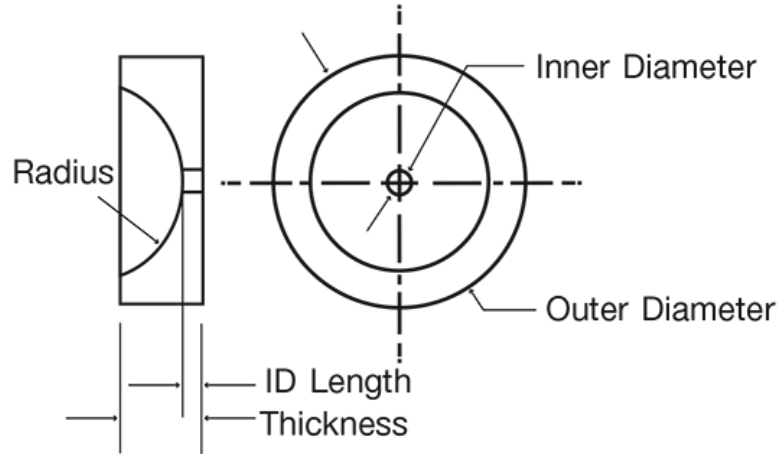
Typical Applications: Hematology Instrumentation, Ink Jet Printing, Flow Control



Model	Inside Diameter	Outside Diameter	Thickness	Radius	ID Length
A10.00	.0029/.0031"	.114/.122"	.024/.026"	.025/.030"	.0026/.0030"
A10.50	.0030/.00315"	.114/.122"	.0245/.0260"	.035/.045"	.00086/.00126"
A12.00	.0030/.0032"	.1176/.1186"	.0244/.0260"	.026/.035"	.0017/.0019"
A14.00	.0037/.0041"	.0865/.0875"	.0245/.0255"	.025/.035"	.0037/.0041"
A16.00	.0038/.0040"	.1176/.1186"	.0244/.0260"	.026/.035"	.0017/.0019"
A18.00	.0030/.00315"	.144/.122"	.024/.026"	.025/.035"	.0018/.0022"
A2.00	.0023/.0025"	.0767/.0807"	.0208/.0248"	Conical 75/85°	.0020/.0030"
A20.00	.0030/.00315"	.1173/.1185"	.024/.026"	.025/.030"	.0022/.0026"
A20.00S	.0038/.0040"	.114/.122"	.024/.026"	.025/.035"	.0018/.0022"
A22.00	.0030/.00315"	.114/.122"	.024/.026"	.025/.030"	.0026/.0030"
A24.00	.0030/.00315"	.114/.122"	.024/.026"	.025/.030"	.0030/.0033"
A26.00	.0034/.0036"	.0472/.0475"	.0091/.0110"	.014/.022"	.0042/.0046"
A28.00	.0097/.0099"	.0865/.0875"	.0245/.0255"	.025/.035"	.0037/.0041"
A30.00	.0196/.0198"	.0865/.0875"	.0245/.0255"	.025/.035"	.0037/.0041"
A32.00	.0294/.0296"	.0865/.0875"	.0245/.0255"	.025/.035"	.0037/.0041"
A34.00	.0393/.0395"	.0865/.0875"	.0245/.0255"	.025/.035"	.0037/.0041"
A36.00	.0016/.0019"	.086/.088"	.024/.026"	.025/.035"	.0020/.0028"

A4.00	.0027/.0029"	.0472/.0475"	.0091/.0110"	.017/.026"	.0026/.0028"
A6.00	.0029/.0031"	.114/.122"	.024/.026"	.025/.030"	.0014/.0018"
A8.00	.0029/.0031"	.114/.122"	.024/.026"	.025/.030"	.0018/.0022"

Sapphire Aperture Wafer Cross Section



NOT SEEING EXACTLY WHAT YOU NEED?

We specialize in creating a wide range of custom optical components and custom mechanical components including a variety of shapes - from internal holes and tapers to outer flanges, angles and surface finishes. Contact us (800-922-0118) and we will consult with you to create a custom component that meets all of your specifications.